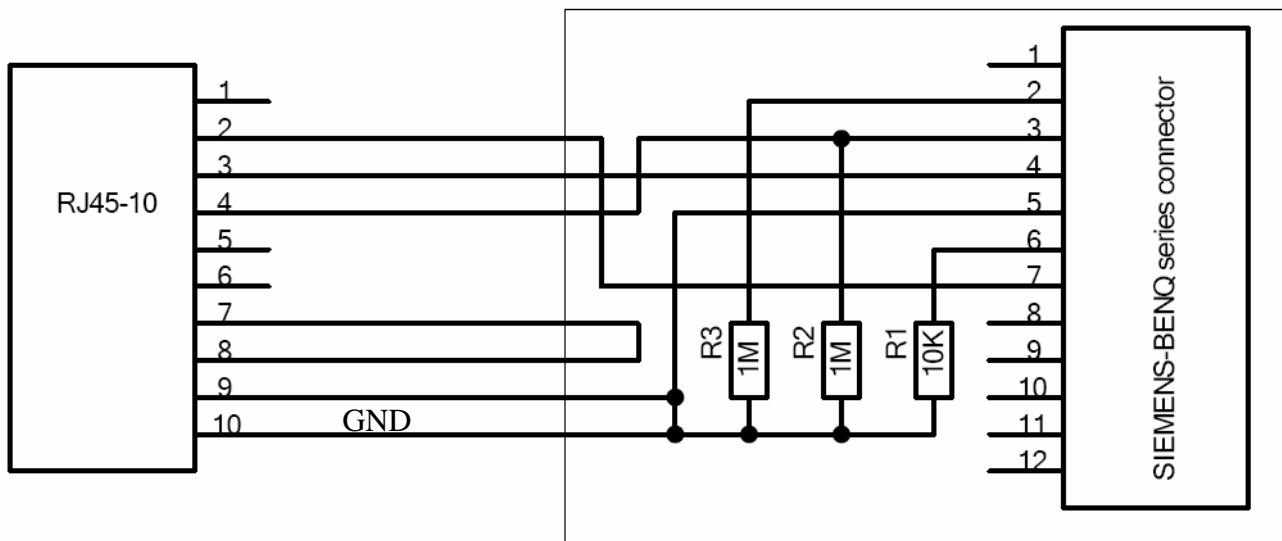


DREAMBOX cable for new BENQ-SIEMENS phones

If you have new BENQ-SIEMENS connector. Use the following schematic to make cable.



Notes:

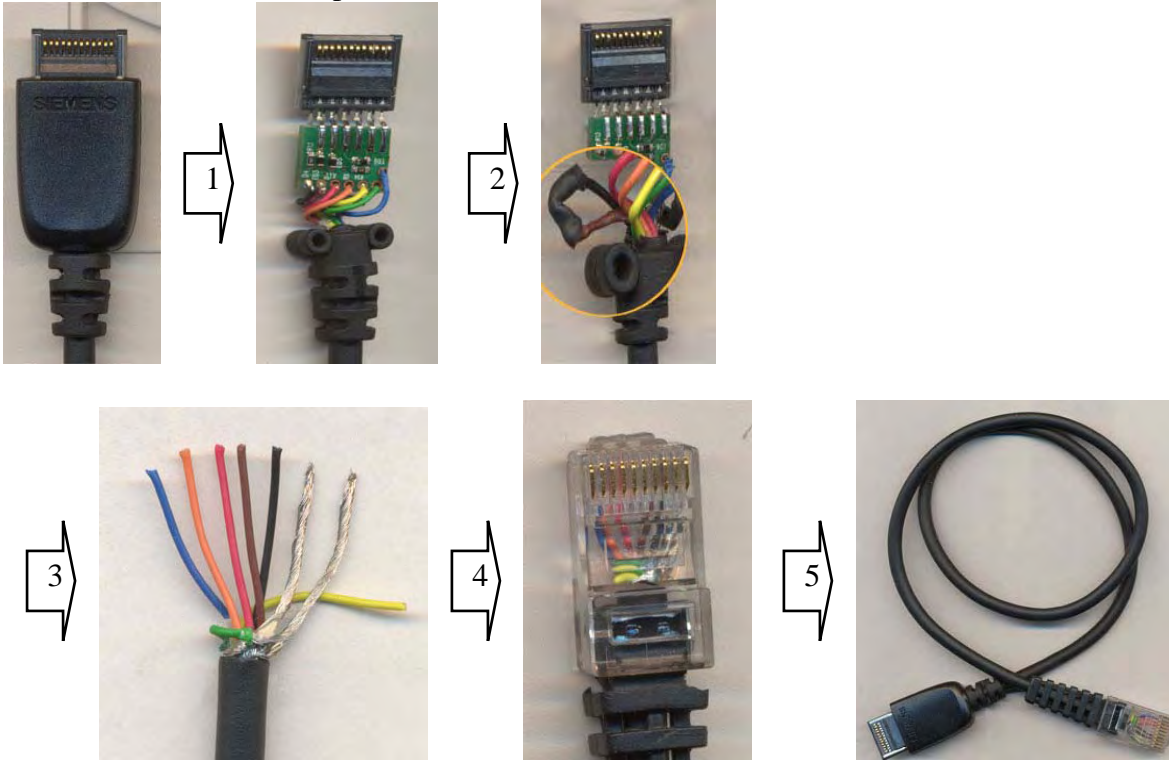
1. At least two wires must connect ground (RJ-45 pins 9,10 to Benq-Siemens connector pin 5).
2. Connect shield to ground on both cable sides.

In case you have no connector it could be done using standard [Siemens Data Cable DCA-100](#).

[BenQ-](#)



Do this several steps:



1. Disassemble connector.
2. Make connection between **black** and **brown** wire as shown in picture.
3. Prepare other side of cable as shown in picture (connect **green** wire to shield).
4. Wring out the 10 pin RJ-45 to comply with following pinout :

| RJ-45 | Wire |
|-------|-----------------------|
| 2 | blue |
| 3 | orange |
| 4 | red |
| 7 | brown |
| 8 | black |
| 9 | Shield + green |
| 10 | Shield + green |

5. You get cable completely compatible with DREAMBOX.