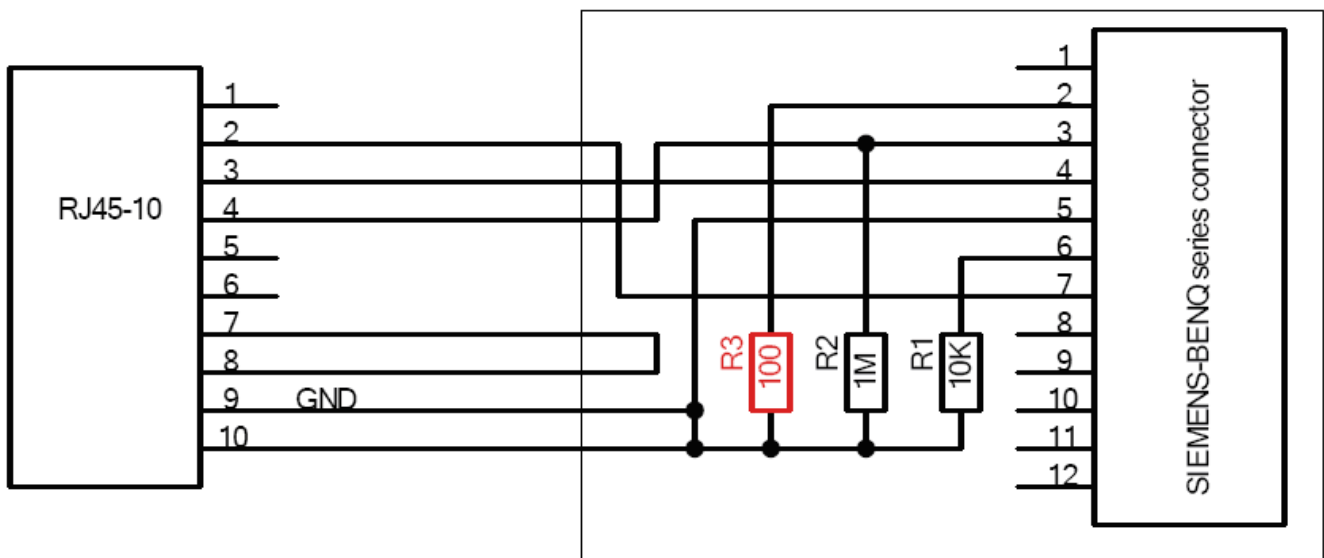


DREAMBOX cable for new BENQ-SIEMENS phones

If you have a new BENQ-SIEMENS connector - use the following schematic to modify the cable. Resistor R3 (1Mega Ohm) needs to be replaced with resistor, nominal resistance 100 Ohm.



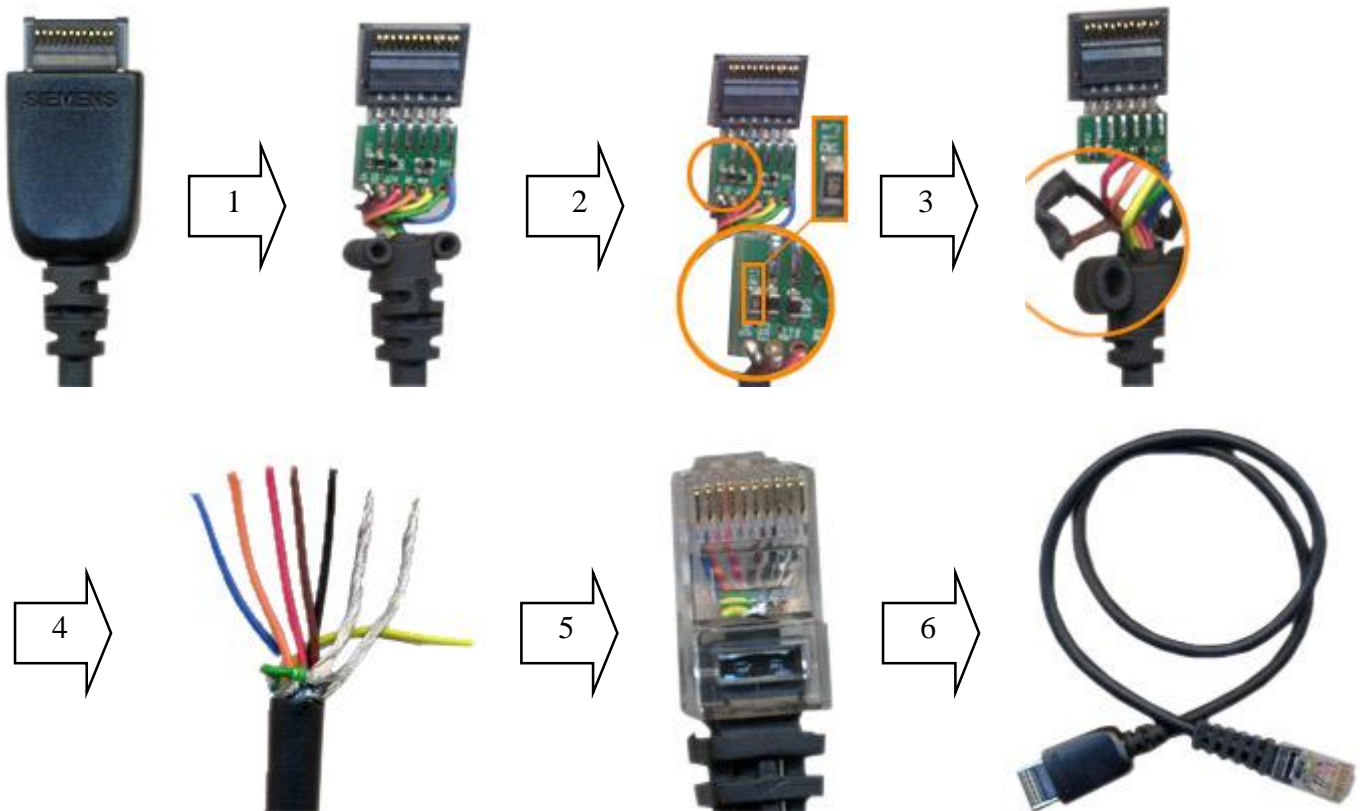
Notes:

1. At least two wires must connect ground (RJ-45 pins 9,10 to Benq-Siemens connector pin 5).
2. Connect shield to ground on both cable sides.

In case you have no connector it could be done using standard [BenQ-Siemens Data Cable DCA-100](#).



Do this several steps:



1. Disassemble connector.
2. Replace resistor R13 with 100 Ohm resistor.
3. Make connection between **black** and **brown** wire as shown in picture.
4. Prepare other side of cable as shown in picture (connect **green** wire to shield).
5. Wring out the 10 pin RJ-45 to comply with following pinout :

RJ-45	Wire
2	blue
3	orange
4	red
7	brown
8	black
9	Shield + green
10	Shield + green

5. You get cable completely compatible with DREAMBOX.